

3/2-Way; 1/8" - 1/4" NPT; 0 - 230 PSI



Advantages/Benefits

- ▶ Coil can be changed easy with valve in place
- ▶ Coil can be locked in 4x 90° positions or move freely between, as required
- ▶ Medium is only in contact with the valve internals and body
- ▶ High-quality seal material FPM (Viton) standard
- ▶ Wide range of cable plug options Type 2508
- ▶ Approvals



Design/Functions

The Type 6014 valves are based on a modular concept comprising three basic elements: Valve assembly, push-over coil and standard cable plug. The valve assembly consists of a body to which the plunger guide tube containing the plunger, seals and springs is attached.

The coil is pushed over the guide tube and thus isolated from the medium. The medium is only in contact with the valve internals and body.

A wide selection of pipe and orifice sizes is offered in brass, stainless steel or plastic. All valves have high quality FPM (Viton) seals as standard.

To simplify ordering, a wide selection of standard combinations of valve body, push over coil and standard cable plug can be ordered with one item number.

Cable plug options of the Type 2508 are available to suit special electrical application requirements.

- The modular concept provides flexibility to meet applications requirements.
- The valves are interchangeable with the Type 311 and 312.

Applications

Fluids

Lubricated, non-lubricated compressed air, inert gases, water hydraulic fluids, petroleum products and additional fluids compatible with the materials of construction. Suitable for technical vacuum

Applications

- Instrumentation
- Machine tools
- Dispensing
- Oil and gas burners
- Car washes
- Analysis equipment
- Photographic equipment
- Printing equipment
- Fuel shut off
- Metering equipment
- Gas measuring equipment
- Compressors
- Welding equipment

Burkert Contromatic USA
2602 McGaw Avenue
Irvine, CA 92614
Tel. 949.223.3100
Fax 949.223.3198
www.burkert-usa.com

Burkert Contromatic Inc.
760 Pacific Road, Unit 3
Oakville, Ontario, Canada L6L 6M5
Tel. 905.847.5566
Fax 905.847.9006
www.burkert.ca

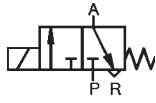
burkert
Fluid Control Systems

Technical Data Type 6014

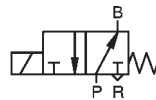
Circuit Function

C - 3/2-way valve, normally closed.
Outlet port A exhausted when valve de-energized.

Symbol



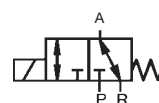
D - 3/2-way valve, normally open.
Outlet port B pressurized when valve de-energized.



Circuit Function

E - 3/2-way valve, mixer or universal.
When de-energized, port P₂ is open, P₁ is closed. Available with NPT versions only.

Symbol



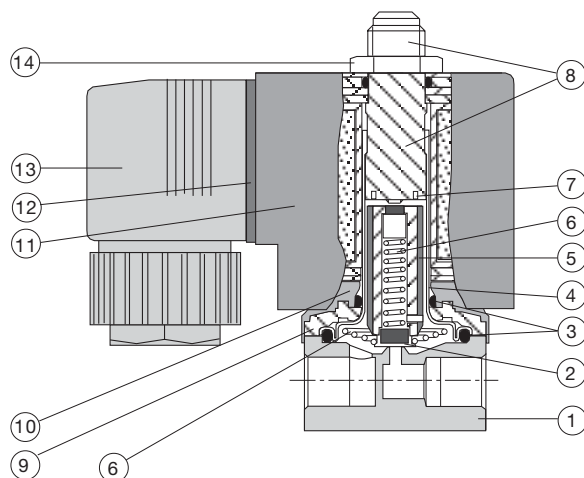
Operating Data (Valve)

Pressure Range	0-230 PSI (see specifications)
Port Connection	Threaded port 1/8" - 1/4" NPT
Orifice	1/16" to 5/32"
Fluid	Lubricated, non-lubricated compressed air, inert gases, water, hydraulic fluids, petroleum products and additional fluids compatible with the materials of construction. Suitable for technical vacuum.
Medium Temperature	14°F to 212°F
Max. Ambient temperature	130°F
Max. Viscosity	21.4 centistokes
Response Times	
Opening:	10-15ms (AC); 15-20ms (DC)
Closing:	15-20ms (AC); 10-22ms (DC)
Installation	as required, but preferably with solenoid system upright

Operating Data (Actuator)

Operating Voltages	AC 24, 110, 230 V/60 Hz, DC 12, 24 V
Voltage Tolerance	±10 %
Power Consumption	AC inrush AC hold DC
32 mm-coil	24 VA 17 VA/8 W 8 W
Duty Cycle	100% continuously rated
Duty Cycle for Multiple Manifolds	60% for manifold mounting (30 min) or use 5W-version (on request)
Cycling Rate	up to 1000 c.p.m.
Coil Insulation Class	
U.L. Recognized	Class B Molded
U.L. Listed	Class H Molded
Rating with Cable Plug	NEMA 4 (IP 65)
Electrical Connection	Delivery standard: Cable plug DIN 43 650 A, 0-250 V (other versions see accessories)
Agency approval	U.L. Recognized, U.L. Listed FM Class I, Div 2, Group A, B, C, D

Materials



1 Valve Body	
NPT Version:	Brass (1/8" or 1/4" NPT) 303 SS (1/8" NPT) 316 SS (1/4" NPT)
Sub-Base Version:	Brass or Polyamide*
2 Plunger-Seal:	FPM (Viton)
3 O-rings:	FPM (Viton)
4 Armature Guide Tube:	308 Stainless Steel
5 Plunger:	430F Stainless Steel
6 Spring:	301 Stainless Steel
7 Shading Ring:	Copper (Brass Bodies) Silver (SS Bodies)
8 Stop:	430F Stainless Steel
9 Flange:	Cadmium Plated Steel
10 Bonnet:	PA (Polyamide)
11 Coil:	PA (Polyamide)-U.L. Recog. Epoxy - U.L. Listed
12 Flat Seal:	NBR
13 Cable Plug:	PA (Polyamide)
14 Locknut:	Zinc Plated Steel

*Polyamide is for use in pneumatic applications only.

Specifications - Ordering Chart (Other Versions on Request)

Type 6014; Brass and Stainless Bodies; Coil 8 W

Circuit Function	Orifice [inch]	C _v	Pressure Range [PSI]	Port Connection [NPT]	Voltage/ Frequency [V/Hz]	Weight [oz.]	Item No.			
							U.L. Recognized with Cable Plug		U.L. Listed with Conduit Plug	
							Brass	Stainless	Brass	Stainless
C	1/16	0.08	0-232	1/8	24DC	13	456 339 E	456 423 K	456 570 A	456 646 A
					24/60		456 340 K	456 424 L	456 571 X	456 647 B
					120/60		456 341 G	456 425 M	456 572 Y	456 648 L
					240/60		456 342 H	456 426 N	456 573 Z	456 649 M
	5/64	0.13	0-145	1/8	24DC	13	456 343 A	456 427 P	456 574 S	456 650 J
					24/60		456 334 B	456 428 Y	456 575 T	456 651 F
					120/60		456 345 C	456 429 Z	456 576 U	456 652 G
					240/60		456 346 D	456 430 W	456 577 V	456 653 H
	7/64	0.18	0-87	1/8	24DC	13	456 351 A	*	456 582 K	*
					24/60		456 352 B	*	456 583 L	*
					120/60		456 353 C	*	456 584 M	*
					240/60		456 354 D	*	456 585 N	*
C w/manual override	5/64	0.13	0-145	1/8	24DC	13	456 359 J	*	456 590 X	*
					24/60		456 360 P	*	456 591 L	*
					120/60		456 361 C	*	456 592 M	*
					240/60		456 362 D	*	456 593 N	*
E	1/16	0.08	0-87	1/8	24DC	13	456 404 Z	456 435 P	456 618 E	456 658 N
					24/60		456 405 S	456 436 Q	456 619 F	456 659 P
					120/60		456 406 T	456 437 R	456 620 C	456 660 L
					240/60		456 407 U	456 438 S	456 621 Z	456 661 H
D	1/16	0.08	0-232	1/8	24DC	13	456 363 E	*	456 594 P	*
					24/50		456 364 F	*	456 595 Q	*
					120/60		456 365 G	*	456 596 R	*
					240/60		456 366 H	*	456 597 J	*
	5/64	0.13	0-145	1/8	24DC	13	456 367 A	*	456 598 T	*
					24/60		456 368 K	*	456 599 U	*
					120/60		456 369 L	*	456 600 R	*
					240/60		456 370 R	*	456 601 E	*
C	5/64	0.13	0-140	1/4	24DC	13	456 347 E	456 431 K	456 578 E	456 654 A
					24/60		456 348 P	456 432 L	456 579 V	456 655 B
					120/60		456 349 Q	456 433 M	456 580 V	456 656 C
					240/60		456 350 M	456 434 N	456 581 J	456 657 D
	7/64	0.18	0-85	1/4	24DC	13	456 355 E	*	456 586 P	*
					24/60		456 356 F	*	456 587 Q	*
					120/60		456 357 G	*	456 588 Z	*
					240/60		456 358 H	*	456 589 S	*
D w/manual override	5/64	0.13	0-140	1/4	24DC	13	456 400 H	*	456 614 S	*
					24/60		456 401 W	*	456 615 T	*
					120/60		456 402 X	*	456 616 U	*
					240/60		456 403 Y	*	456 617 V	*
D	5/64	0.13	0-140	1/4	24DC	13	456 371 E	*	456 602 F	*
					24/60		456 372 F	*	456 603 G	*
					120/60		456 373 G	*	456 604 H	*
					240/60		456 374 H	*	456 605 A	*
	7/64	0.13	0-85	1/4	24DC	13	456 379 N	*	456 610 A	460 500 M
					24/60		456 380 C	*	456 611 X	*
					120/60		456 381 Z	*	456 612 Y	*
					240/60		456 382 S	*	456 613 Z	*

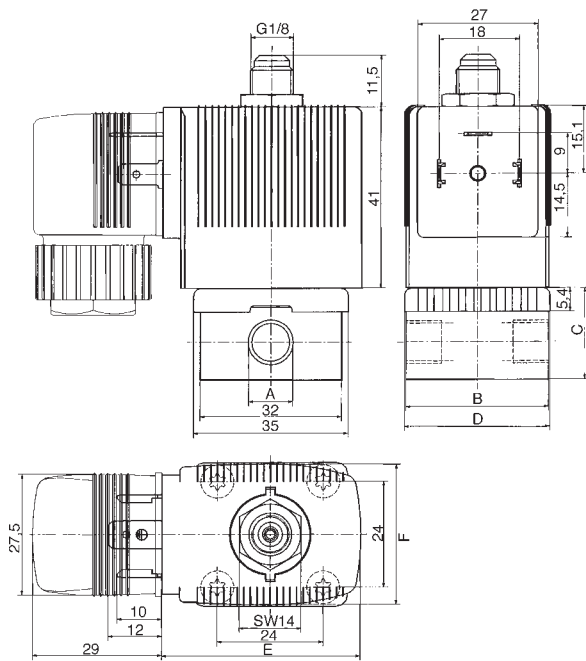
* Please contact factory for these configurations.
Specifications are subject of change without notice

Compact Solenoid Valve – General Purpose

Threaded Port 1/8"–1/4" NPT

Type 6014

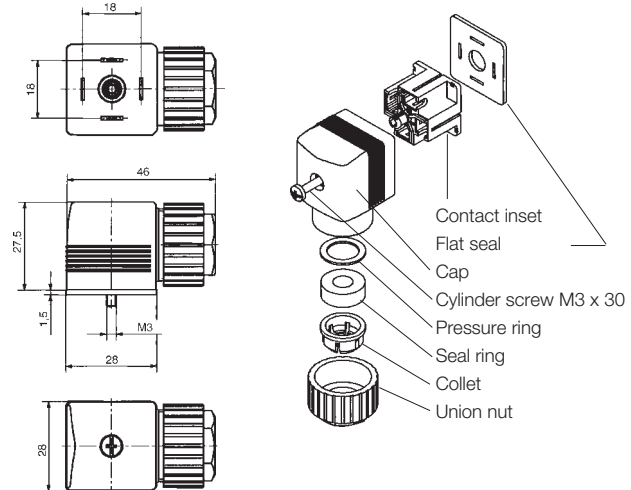
Dimensions Type 6014 (in mm)



Variable Dimensions

	Armature				Coil	
	A	B	C	D	E	F
Threaded Port G without manual override	1/8	32	20,8	32,6	45	32
Threaded Port G with manual override	1/8	32	20,8	32,6	45	32
	1/4	46	26,8	49,0	45	32
	1/4	46	25,8	49,0	45	32

Dimensions Accessories (in mm)



Ordering Chart Accessories

Accessory	Features	Order-No.
Cable-plugs¹⁾ Type 2508	Standard cable plug, 0–250 V AC/DC (standard-delivery) ¹⁾	008 376 N
	with LED, 12–24 V AC/DC	008 360 S
	with LED, 100–120 V AC/DC	008 361 P
	with LED + Varistor, 12–24 V AC/DC	008 367 M
	with LED + Varistor, 100–120 V AC/DC	008 368 W
	with LED + Varistor, 200–240 V AC/DC	008 369 X

¹⁾ The standard cable plug (0–250 V AC/DC), Order-No. 008 376 N is part of the standard delivery. Ordering of optional cable plugs with separate ordering number.

A wide selection of further cable plugs is available (see special datasheet Type 2508)